

## **WARNING PROPANE POWERED TRACK CONCRETE BUGGY SAFETY**

Any piece of equipment can be dangerous if not operated properly. **YOU** are responsible for the safe operation of this equipment. The operator must carefully read and follow any warnings, safety signs and instructions provided with or located on the equipment. Do not remove, defeat, deface or render inoperable any of the safety devices or warnings on this equipment. **IF** any safety devices or warnings have been removed, defeated, defaced or rendered inoperable, **DO NOT USE THIS EQUIPMENT!!!**

**⚠ WARNING:** Operating, servicing, and maintaining this equipment can expose you to chemicals including engine exhaust, carbon monoxide, phthalates, and lead, which are known to the State of California to cause cancer and birth defects or other reproductive harm. To minimize your exposure, avoid breathing exhaust, do not idle the engine except as necessary, operate and service your equipment in a well-ventilated area and wear gloves or wash your hands frequently when servicing your equipment. For more information go to [www.P65warnings.ca.gov](http://www.P65warnings.ca.gov)

If the person receiving this handout will not be the user of the equipment, forward these instructions to the operator. If there is any doubt as to the operation or safety of the equipment, **DO NOT USE!!!**  
**CALL A TOOL SHED IMMEDIATELY!!! FAILURE TO FOLLOW THESE INSTRUCTIONS  
COULD RESULT IN INJURY OR DEATH**

# **Safety**

# **1**

---

## **1.2 Safety Precautions**

This section contains safety precautions to follow when operating and maintaining the machine. Read and understand the precautions in this section as well as throughout this manual and follow them when operating or maintaining the machine. Failure to follow safety precautions could result in property damage, serious injury or death to the operator or bystanders.

### **1.2.1 Intended Use of This Machine**

- **This machine shall only be used for its intended purpose: hauling & dumping liquid concrete, sand & dirt.**
  - Do not use this machine for pushing, pulling, lifting, or any such load-bearing use.
- **This machine is not intended to be used on public road or what is considered to be public road. It is the sole responsibility of the operator to consult the local regulations.**
- **This machine is only intended to be used in the environment (temperature range) specified. Liquid LPG; between 50°F and 104°F, for Gaseous LPG; between 23°F and 68°F**
- **This machine is a stand-on riding machine with a riding capacity for one operator only. Do not carry anyone other than the operator.**
- **This machine is intended for, and meet the regulations and standards of the United States of America. Use of this machine outside the U.S.A. can violate the local regulations.**

### **1.2.2 User Qualifications for This Machine**

- **Operator or mechanic must be of legal age to operate or service this machine. Local regulations may differ for the minimum age for operating or servicing this type of machine. Consult your local authority.**
  - Operator must be familiar with the controls, safety labels and proper use of this machine.  
Also see 1.2.3 Training.
  - Mechanic must be qualified and familiar with the construction and workings of this machine to service it.
  - Never allow minors or anyone unfamiliar with this machine to operate or service this machine.
- **Operator is solely responsible for the accidents or hazards caused by this machine during its operation to other people or to their property.**
- **Operator must be physically fit to operate this machine.**
  - This machine is intended for an operator of 5' 3" to 6' 6" in height and 110lbs to 265lbs in weight.
  - Never operate this machine when you are ill, very tired, or under influence of alcohol or drugs.

## 1.2.3 Training

All operators and mechanics should receive practical instructions from their employer or renter. Such instructions should cover the following issues:

- It is essential to familiarize yourself with the controls, safety labels and the proper use of the machine.
- Always keep in mind that care and concentration is required when working with ride-on machines.
- Loss of control on a slope cannot be regained by the application of the brake. The main reasons for loss of control are:
  - insufficient grip of tracks.
  - excessive speed.
  - misjudging of the ground conditions, especially slopes.
  - excessive load.
  - incorrect distribution of load.

## 1.2.4 Preparation

- Always wear protective footwear, long trousers, hardhat, safety glasses and ear protection when operating or servicing the machine. Proper clothing will minimize the chance of injury. Do not operate the equipment if you have long hair, loose clothing, or jewelry; all of which may get tangled in the moving parts. Do not operate the machine barefoot or with open sandals.
- Prepare beforehand the working rules and procedures such as signaling and traffic control for the work place. Following such rules will reduce the risk of accidents.
- Perform the daily pre-startup inspection (see 4.1 Preparation), before starting the machine. Repair or replace damaged parts before starting the machine.

## 1.2.5 Handling fuel

### DANGER

- Propane fuel is highly flammable and explosive, and can cause serious injury or death if not handled properly. Always follow the precautions below and the instructions in 4.1.3 Checking Fuel and Replacing Tank when handling propane fuel or fuel tank.

- Federal, municipal and other regulations may be applicable for using or handling propane fuel. Check web sites (e.g. OSHA site) and consult your local propane provider for legal requirements and restrictions.
  - Also see the National Fire Protection Association (NFPA) web site; it provides useful resources for safely using propane fuel.
- Propane is flammable and explosive. It is also invisible and odorless.
  - Keep any source of ignition away when handling propane or tank.
  - Keep the work & filling area well-ventilated when handling propane. Accumulation of propane gas can cause asphyxiation.
  - If gas cloud appears, leave the area immediately and ventilate. Gas cloud can suffocate you rapidly, and it can catch fire.
  - Propane gas is heavier than air. Therefore it tends to accumulate in the lower level.
- Have the propane tank filled only by trained and qualified personnel at a properly equipped filling facility.
  - Do not fill the tank or disconnect its hoses near a source of ignition.
  - There must be no combustible materials near the propane dispenser.
  - The federal regulation requires that filling must be done at least 25 feet away from any building or structure.
  - The filling site must be equipped with appropriate fire extinguishers. Refer to the federal and local regulations and the NFPA guides.
  - The filling must be done outdoors in a well-ventilated area.
  - Always wear protective gloves when handling the propane tank. Propane gas can cause cold burns.
  - Always wear protective clothing and eye protection.
- Check the condition of the tank, valves and hoses before filling or using.
  - Always remove the tank before filling. Never fill a tank on the machine. The hot engine or other components can ignite the propane.
  - Never fill the tank if it is damaged, corroded, deformed or contains foreign material.
  - Never fill the tank if the valves are damaged or displays leaks.
- Do not fill the tank beyond 80% of its capacity. Do not use a tank that is filled beyond that capacity.
- Never handle lubricants, grease, recharge the battery, or service the engine in the presence of fire or spark.

## 1.2.6 Operation

The stability of the machine is affected by the speed, rate of steering, terrain and the load. Always pay close attention to these factors or a loss of control or tip over could occur, resulting in property damage, serious injury or death.

### General Driving

- Do not operate the engine in a confined space where dangerous carbon monoxide fumes can accumulate. Also see 1.2.5 Handling Fuel for precautions relating to propane fuel.
- Do not touch the engine, muffler or exhaust pipe while the engine is running or soon after it has stopped. These areas will be very hot and can cause burns.
- Always check for obstacles before operating on new terrain.
- Before starting the engine and moving the machine, scan around your surroundings and make sure all persons and other vehicles are a safe distance away from the machine. Sound the horn to warn bystanders.
- Always stand on the operator's platform and hold the guid rail with one hand to keep your posture when driving this machine. Never operate the drive lever off of the machine.
- On a slippery surface, travel slowly and exercise caution to reduce the chance of skidding or sliding out of control. Never operate on ice.
- Always make certain that there is no obstacle or person behind the machine when backing up. After confirming that it is safe to back up, move slowly and avoid sharp turns.
- To reduce the risk of tip over, pay special attention when encountering an obstacle or a slope, or when braking on a slope or during a turn. See Driving on a Slope on the next page.
- Never attempt to drive over a large obstacle such as a rock or fallen tree.
- Always travel slowly & use extra caution when operating on unfamiliar terrain. Be alert when traveling on changing terrain.
- Never operate on terrain that you are not comfortable with. Avoid terrain that is so rough, slippery or loose that you feel like you could tip over.
- Do not operate the machine near the edge of a cliff, an overhang or a slide area.
- Do not make sudden maneuvers. A sudden start, stop, or turn can make the machine lose control and could cause a tip over. Be especially cautious when traveling on soft or wet ground.
- Drive at a safe speed, taking into account the surface gradient, surface conditions and load.
- Use an observer to help direct the machine when the visibility is poor, terrain is rugged or hilly, or maneuvering room is limited. The observer should be able to see the machine and its immediate surroundings, and should give pre-arranged signals to direct the operator.

### Driving on a Slope

#### **WARNING**

- Never use on a slope steeper than 20 degrees.
- Driving on a slope can be dangerous. It can result in a tip over and cause serious injury or death. Take the following precautions.

- Always follow proper procedures for driving on a slope as described in this manual.
- Driving on a slope in a wrong manner can cause a loss of control or a vehicle tip over. Check the terrain carefully before attempting to drive on a slope.
- Never drive on a slope that you are not comfortable with. Avoid a slope that is so rough, slippery, or loose that you feel like you could tip over.
- When driving up a slope, proceed at a steady rate of speed and throttle position.
- Never move the throttle lever or the control lever suddenly.
- If the engine stalls or loses traction during a climb and cannot make it to the top of the slope, do not try to turn the machine around. Carefully back straight down the slope, slowly.
- Drive straight up or down slopes. Avoid turning on a slope.
- When going over the top of a slope, go slow; an obstacle, a sharp drop, or another vehicle or person could be on the other side of the crest.

- Avoid driving the machine across a slope.
- Without load, drive the machine backward up a slope (operator's step uphill) when climbing, and drive it forward when going down a slope.
- With a load, drive the machine forward up a slope (operator's step downhill) when climbing, and drive it backwards when going down a slope. Be especially cautious when operating on a slope with a load.
- When driving down a slope, use the drive levers so that the machine travels down at the minimum speed. Use the engine speed to help keep the machine speed low.

### **Loading and Driving with a Load**

- The maximum payload for this machine is 2200lbs. Do not exceed this maximum payload capacity under any circumstance.
- Do not operate on a slope steeper than 20 degrees when carrying a load. Do not carry more than 1100lbs when operating on a slope between 15 and 20 degrees. Keep in mind that liquid concrete will shift in the bucket and hence its center of gravity also shifts, affecting the stability of the machine.
- Load cargo in the bucket so the weight is evenly distributed. Keep in mind that liquid concrete will shift in the bucket and hence its center of gravity also shifts, affecting the stability of the machine.
- When carrying a load, drive at a reduced speed. Allow a greater distance for braking.
- Before crossing a bridge or an overpass, make certain that the total combined weight of the machine, the load and the driver is within the stated weight limit for the bridge or the overpass. Then, proceed carefully and at a constant speed.

### **Dumping/Turning**

When swiveling the bucket and dumping material from the bucket, take the following precautions.

- Always follow the proper procedures for dumping or swiveling as described in this manual.
- Only operate the bucket with the engine running.
- Always stay on the operator's platform when dumping or swiveling the bucket. Never operate the dump or swivel lever when you are off of the machine.
- Perform dump operation on a flat, level and stable surface whenever possible. Raising or lowering the bucket on a slope or rough terrain could result in a tip over.
- Pay special care when dumping with the bucket swiveled to a side. Be tentative when raising the bucket which is swiveled to a side.
- Make certain that all persons are at a safe distance away from the machine when raising, lowering, or swiveling the bucket.
- Do not move the machine or leave it unattended with the bucket in the raised position.
- Never place any part of your body under the bucket when it is in the raised position.

### **Parking**

- Park the machine on a flat, level and stable surface. Never park on a slope steeper than 15 degrees. Avoid parking on a slope between 0 & 15 degrees. If parking on a slope between 0 & 15 degrees is unavoidable, swivel the bucket straight, apply the parking brake and block the tracks at the lower end of the machine.
  - Without a load, park the machine with the operator's step facing uphill
  - With a load, park the machine with the operator's step facing downhill
  - Do not park sideways on a slope.
- Observe all the previous precautions for driving, driving on a slope, loading and driving with a load, and dumping.
- Whenever you park the machine, apply the parking brake and stop the engine. Remove the key from the ignition whenever you leave the machine unattended to prevent unauthorized use or accidental starting.
- Propane fuel is extremely flammable and explosive. When parking the machine indoors, make certain that the building is well ventilated and that the machine is not close to any source of flame or spark, including appliances with pilot lights. Close the valve on the propane tank and empty the propane hose by running the engine until it stops. Also see 1.2.5 Handling Fuel and the web sites and guides referenced there for storage information. Federal or local regulations may require propane tanks to be stored under certain condition.

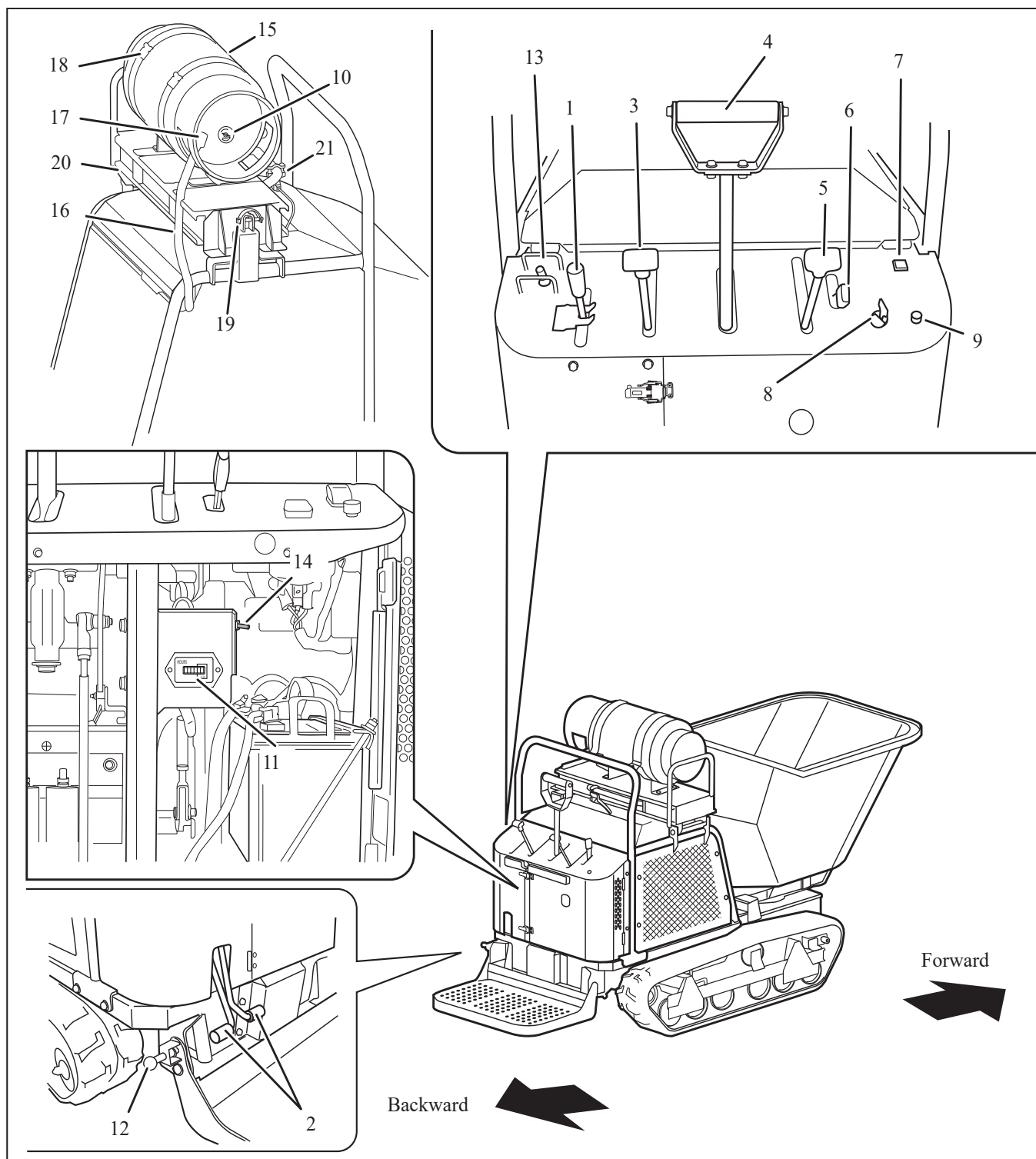
### **1.2.7 Servicing**

- Do not service the machine when the engine is running. If it is absolutely necessary to run the engine while servicing, pay attention to the moving parts; keep hands, feet, clothing and any part of the body away from any moving part, especially the cooling fan and the belts at the side of the engine.
- Do not operate the engine in a confined space where dangerous carbon monoxide fumes can accumulate.
- Make sure all hydraulic line connectors are tight and all hydraulic hoses and lines are in good condition and leak-free before applying hydraulic pressure to the system.

- Keep your body and hands away from pinhole leaks or nozzles that eject hydraulic fluid under high pressure. Use paper or cardboard, not your hands, to search for leaks. Hydraulic fluid escaping under pressure can have sufficient force to penetrate the skin and cause serious injury.
- Check all fuel lines on a regular basis for tightness and wear. Tighten or replace them as needed.
- Do not touch the engine, muffler, or exhaust pipe while the engine is running or soon after it has stopped. These areas will be very hot and can cause burns.
- The engine must be shut off before checking or adding oil.

## 2 Controls and Components

### 2.1 Name and Function of Controls



- 1 **Dump Lever** . . . . . Raises or lowers the bucket.
- 2 **Dump Pedals** . . . . . Coupled to the dump lever and raises or lowers the bucket.
- 3 **Clutch Lever** . . . . . Disengages the clutch to help start the engine in the cold.
- 4 **Control Stick** . . . . . Control stick is used to control the traveling direction (forward or backward, as well as left or right and speed of the machine.
- 5 **Parking Brake Lever** . . . . . Parking brake lever is used to park the machine securely.
- 6 **Throttle Lever** . . . . . Throttle lever is used to control the engine speed.
- 7 **Engine Oil Warning Lamp** . . . . Lights up when the Main Switch is turned to the [ | ] (run) position.  
If there is no problem, it goes off when the engine is started. If a problem is detected when the engine is running, it lights up.
- 8 **Main Switch** . . . . . Main switch is used to start or stop the engine.
- 9 **Horn Button** . . . . . Pressing this button sounds the horn. Use this for warning during traveling or signaling during operation.
- 10 **LPG Fuel Gauge** . . . . . Shows the amount of gas left in the tank. (The gauge varies, depending on the tank used.)
- 11 **Hour Meter** . . . . . Hour meter displays and records the total amount of time the machine has been in use, in the unit of 0.1 hour.
- 12 **Step Lock Knob** . . . . . Step lock knob is used when folding / unfolding the step.
- 13 **Turn Lever** . . . . . This is used when turning the bucket.
- 14 **Turn Table Limit Override Switch** . . . . . When the bucket abnormally rotates, release the abnormal detection function only while it is ON to adjust (recover) it to the normal position.
- 15 **LPG Tank** . . . . . You can use the standard LPG tank. Choose a tank suitable for the environment (i.e. temperature) in which the machine is used.
- 16 **LPG Hose Gas Line Hose** . . . . . This hose connects the tank and the vaporizer to supply fuel.
- 17 **LPG Valve LPG Shut-Off Valve** . . . . . This opens or shuts off gas flow from the tank to the engine.
- 18 **LPG Tank Strap** . . . . . Holds LPG tank.
- 19 **Pin** . . . . . Hold the LPG tank base in place.
- 20 **LPG Tank Base** . . . . . The tank base has a gas assisted slide-and-lift mechanism for easy replacement of the LPG tank.
- 21 **Assist Lever** . . . . . Holding this lever frees the gas spring to assist lifting the tank base up when replacing the tank.

**⚠ CAUTION**

- Please check (and add if necessary) motor oil as soon as the oil pressure warning light turns on. When the warning light turns on, the operation of the hour meter is stopped. If the hydraulic warning light does not light up before starting the engine, the hour meter does not operate.

# Operation

## 3.1 Preparation

### 3.1.1 Pre-start up Inspection

Always perform an inspection before use.

Refer to the **5.1 Maintenance Schedule** for the inspection schedule and procedure. This machine has the fuel shut-off system that automatically controls fuel flow.


When the main switch is [ ○ (off)], the fuel shut-off valve closes.

When the main switch is turned [ | (on)], the valve opens automatically, and fuel is supplied to the engine.

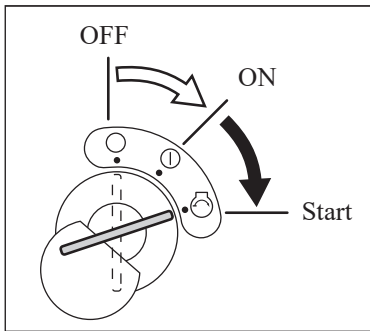
If the engine is not started within 4 seconds however, the valve closes.

If that happens, turn the main switch [ ○ (off)], then [ | (on)] again to start the engine.

## NOTE

- If the engine stalls during operation, the shut-off valve closes after 4 seconds. Turn the main switch to [  (off) ] then [ | (on) ] to restart.

### 3.1.2 Checking Shut-off Valve



1. Turn the main switch [ | (on) ].
2. Start the engine within 4 seconds. (See 4.1.1 Pre-start up Inspection)
3. Observe that the engine idles smoothly. If the engine stalls or runs rough, contact A Tool Shed immediately.

### 3.1.3 Checking Fuel and Replacing Tank

#### DANGER

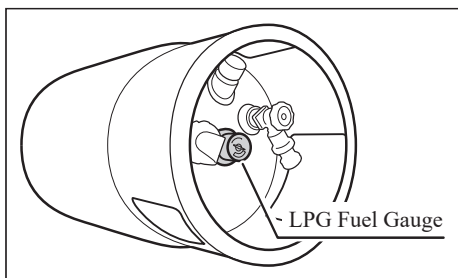
- **Explosion and fire hazard.** If you detect gas leak (i.e. hissing noise, smell) while in use or after changing the tank, close the shut-off valve immediately. Contact A Tool Shed for repair.

#### WARNING

- **Keep fire and spark away when handling fuel.**
- **Always stop the engine before refueling.**
- **Freezing hazard.** If the fuel in liquid form is spilled, it evaporates (adiabatically expands) and freezes where it is spilt. It can cause severe frost bite. Always close the shut-off valve and run the engine until it stops after use in order to empty fuel in the fuel line, regulator or vaporizer.

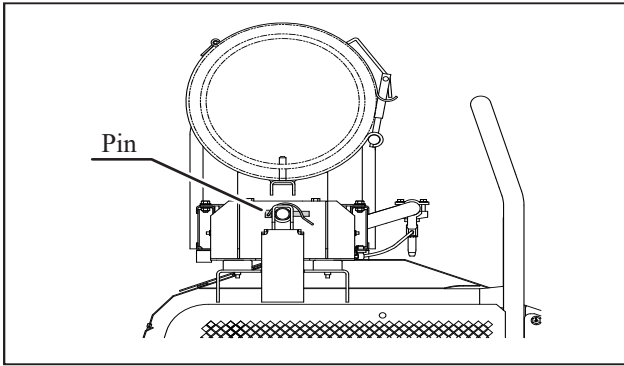
#### CAUTION

- **Pinch point; watch your hands when shutting the engine hood.**
- **Never use any fuel other than propane. The engine can be damaged.**



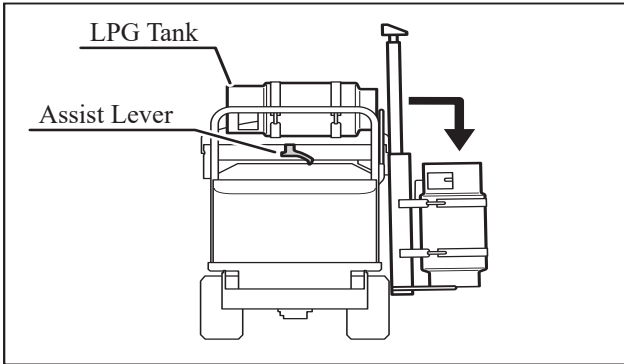
#### Checking Fuel

1. Check the LPG fuel gauge for the gas level in the tank.



## LPG tank

1. Close the LPG shut-off valve.
2. With the shut-off valve closed, run the engine until it stops, in order to use up the fuel remaining in the hose, regulator and vaporizer.
3. Disconnect the hose from the LPG tank.
4. Remove the pin that holds the tank base.
5. Slide the tank base to the left.
6. Turn (Flip) the tank base upright.
7. Hold the assist lever and lower the LPG tank base downward.
8. Unlatch the tank bands and remove the tank from the tank base.
9. Install a filled tank in the reverse order.



## 3.2 Driving

### 3.2.1 Starting

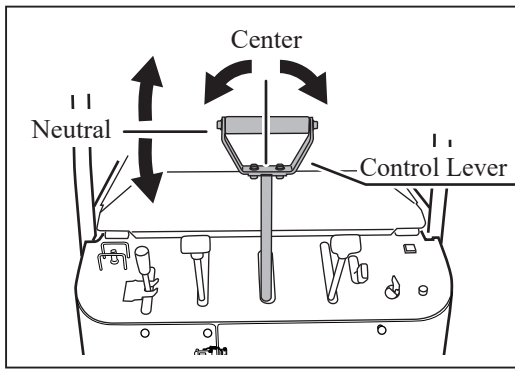
#### **⚠ WARNING**

- Always start and run the engine in a well ventilated area.
- Always make certain of the safety of your surroundings when starting the engine.

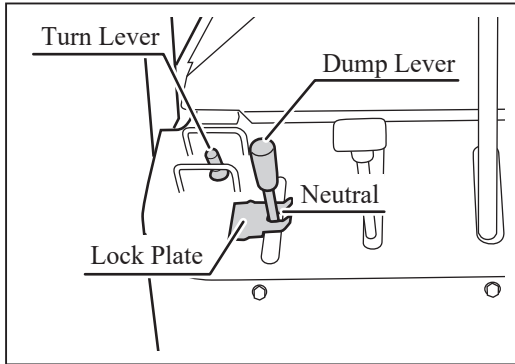
#### **⚠ CAUTION**

- Do not turn the starter when the engine is running. The starter motor and/or the engine may be damaged.
- Do not turn the starter for more than 5 seconds. If the engine does not start, wait for 10 seconds or more before attempting to start again.
- In the winter or cold climate, warm up the engine thoroughly before driving the machine. Driving with the cold engine may cause excessive wear.

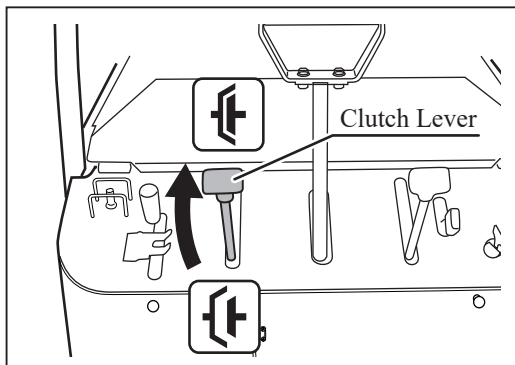




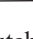
1. Make sure the control lever is in the neutral position and on center (not twisted).

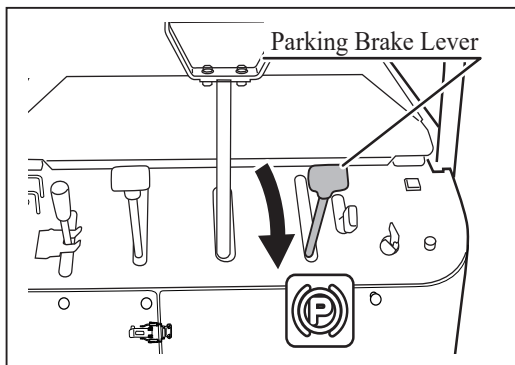



2. Make sure the dump lever and turn lever are in the neutral position and lock plates are in the locked position.



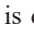
### Normal Starting

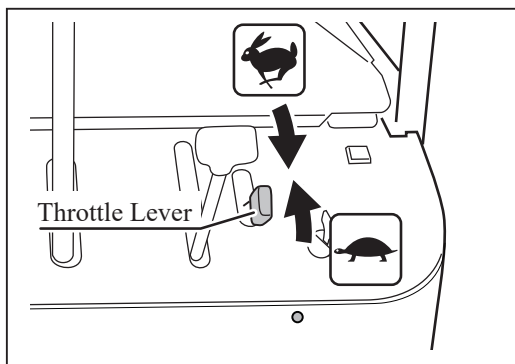
3. Move clutch lever to [  (engaged) ] position.





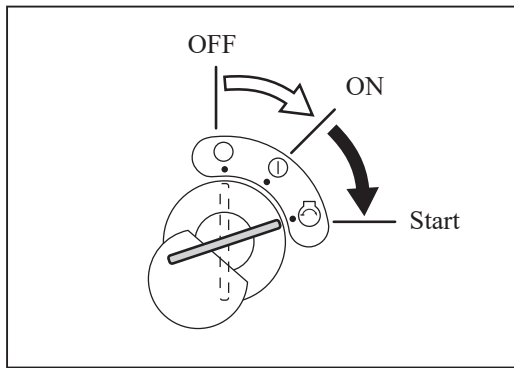
4. Move parking brake lever to [  (engaged) ] position.



### NOTE

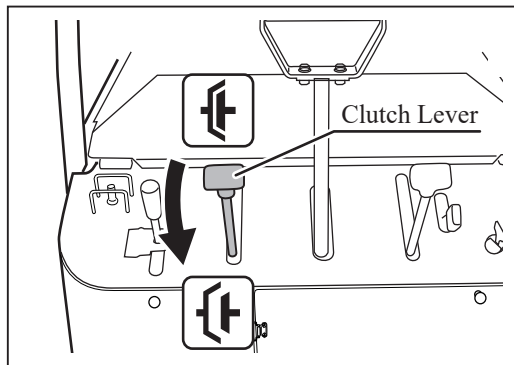
- Engine cannot be started unless control stick is in neutral and centered, and parking brake is in [  (engaged) ] position. This is due to the safety feature on this product.




5. Set throttle lever in between [  (fast) ] and [  (slow) ] positions.

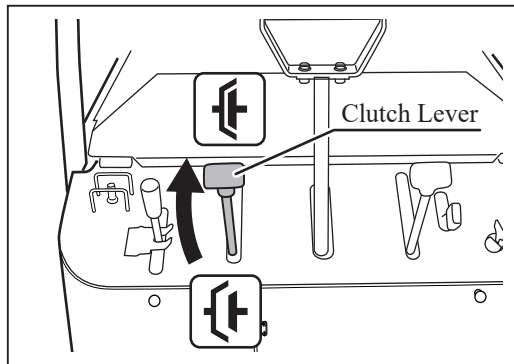



6. Insert the key into main switch.
7. Turn main switch to [  (start) ] position to start engine. Once engine starts, release key immediately; switch will automatically return to [ | (on) ] position.
8. Move throttle lever to [  (slow) ] position.
9. Allow engine to warm up by running it for 3-5 minutes without any load. (It is not necessary when the engine is already warm.)




### Starting in Cold Weather

3. Move clutch lever to [  (disengaged) ] position.
4. Follow 4 to 10 in the normal starting procedure above.



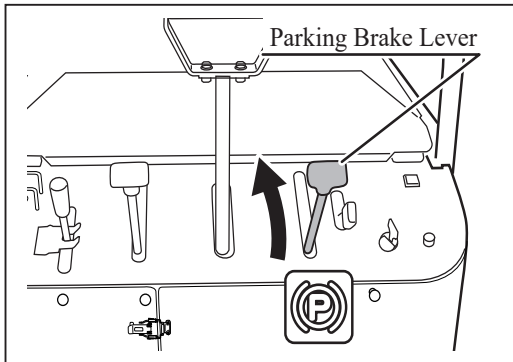
5. Move clutch lever to [  (engaged) ] position.
6. Allow engine to warm up by running it for 3-5 minutes without any load.

## WARNING

- Do not allow bystanders to come near the machine when driving.
- Always make certain of the safety of your surroundings before driving; start slow.
- Always make certain of the safety of your surroundings before turning.
- Do not make sudden start, acceleration, change of speed, change of direction, or stop. Do not turn at speed. Avoid sudden maneuvers; this may cause the operator to fall or the machine to tip over.
- Do not turn the key to [  (off) ] position while traveling. Machine may lose stability and tip over.
- Always move the control stick back to the neutral and centered position before releasing. Letting it go from other operating positions may result in sudden deceleration and can cause the machine to tip or the operator to fall.

# ⚠ CAUTION

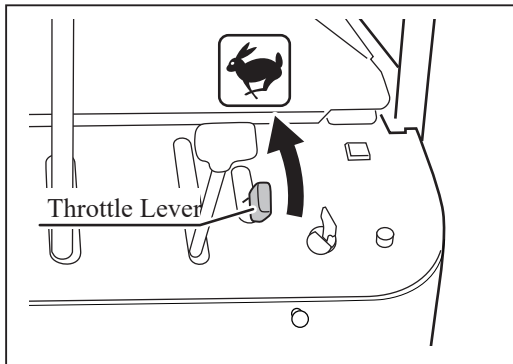
- Do not operate the control stick when the parking brake is in [Ⓟ (engaged)] position. It can wear out the brake.



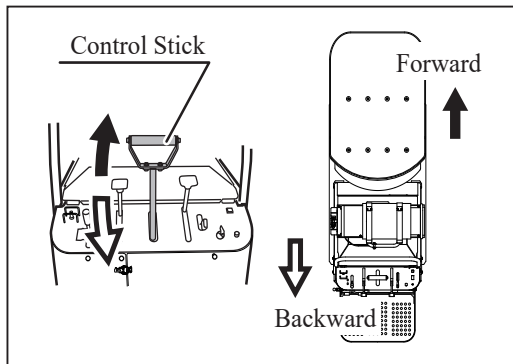
1. Make certain of the safety of your surroundings.
2. Move parking brake lever away from [Ⓟ (engaged)] position.

## NOTE

- If control stick is operated while parking brake is in [Ⓟ (engaged)] position, warning buzzer beeps. Release parking brake before operating steering lever.



3. Move throttle lever toward [🐰 (fast)] position to increase engine speed.



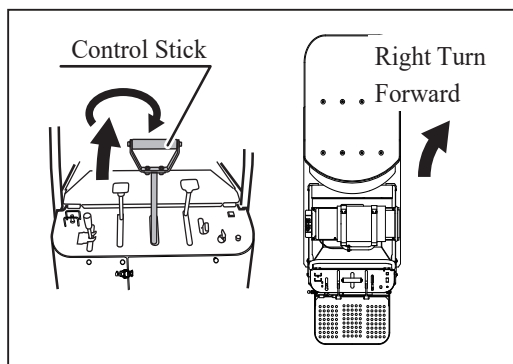
## Moving Forward

4. Move control stick forward gradually to move machine forward. The angle of control stick controls machine speed.

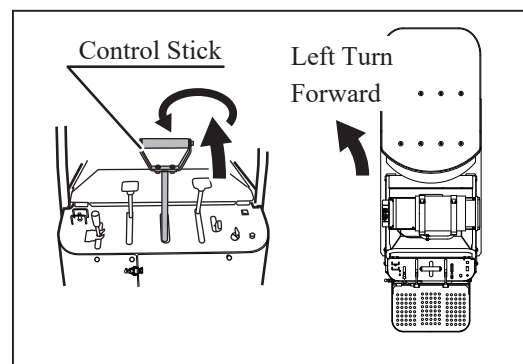
## Moving Backward

5. Move control stick backward gradually to move machine backward. The angle of control stick controls machine speed.

## Turning while Traveling Forward

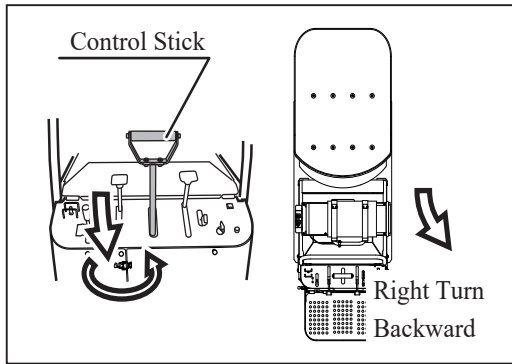


6. Move control stick gradually forward and twist it right (clockwise) to turn right.

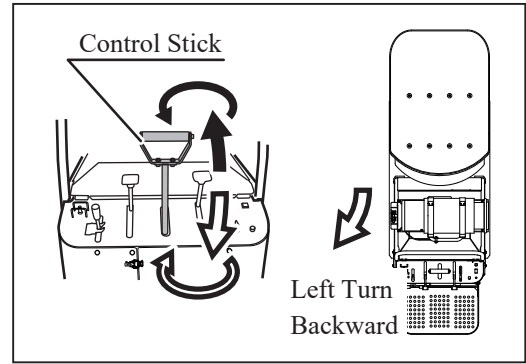


7. Move control stick gradually forward and twist it left (counter-clockwise) to turn left.

## Turning while Traveling Backward



8. Move control stick gradually backward and twist it left (counter-clockwise) to turn right.

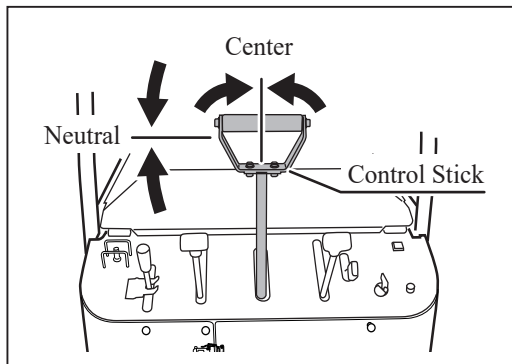


9. Move control stick gradually backward and twist it right (clockwise) to turn left.

### 3.2.3 Stopping

#### **!WARNING**

- Do not make a sudden stop. The machine may skid or tip over.
- Always park on a firm, level place. Never park on a potentially dangerous place.

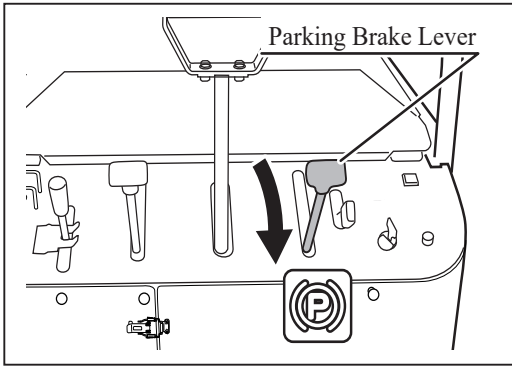



1. Move control stick gradually to the neutral and centered (not twisted) position.

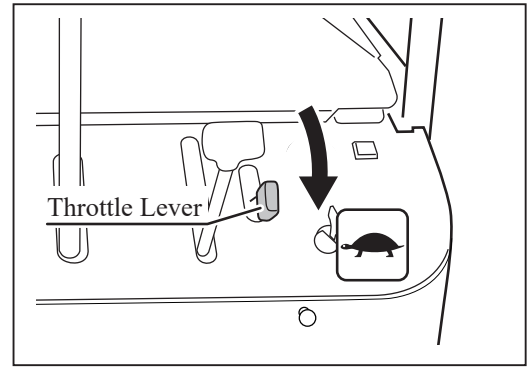
### 3.2.4 Parking


#### **!WARNING**

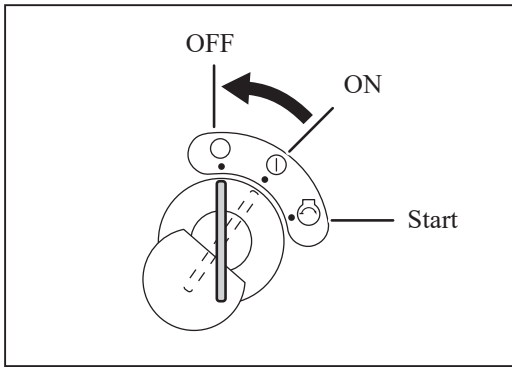
- Always park on a firm, level place. Never park on a potentially dangerous place.
- Do not park on a slope. If it is absolutely necessary to park the machine on a slope, make certain to apply parking brake firmly and block the tracks with chocks.




1. Stop machine.
2. Move parking brake lever to [  (engaged) ] position.




3. Move throttle lever toward [  (slow) ] position to decrease engine speed.



4. Turn main switch to [  (off) ] position.  
Remove key from the main switch.

### NOTE

- Leaving main switch in [  (on) ] position drains the battery.

## 3.3 Working

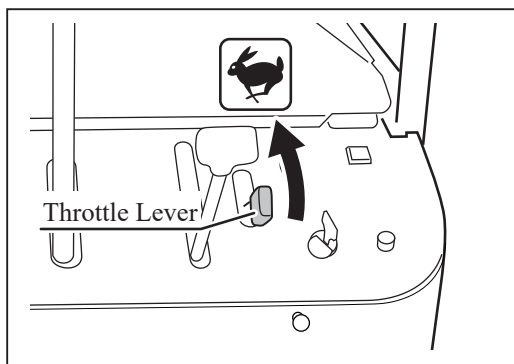
### 3.3.1 Dumping and Turning


#### WARNING

- Always make certain of the safety of your surroundings when dumping or turning bucket.
- Never dump or turn bucket on a slope. Machine can tip over

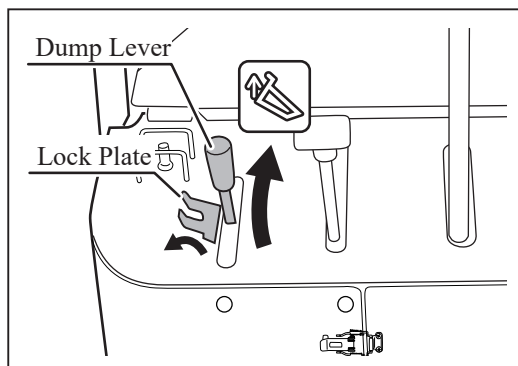
#### CAUTION


- Always run the engine when dumping or turning bucket.
- When lowering loaded bucket, slow engine speed and lower bucket gently.



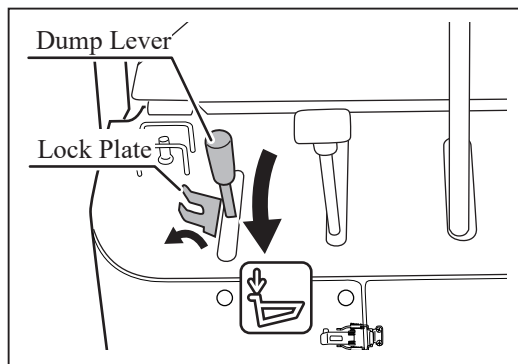
1. Move throttle lever to [  (fast) ] position to increase engine speed.


## Raising Bucket with the Dump Lever



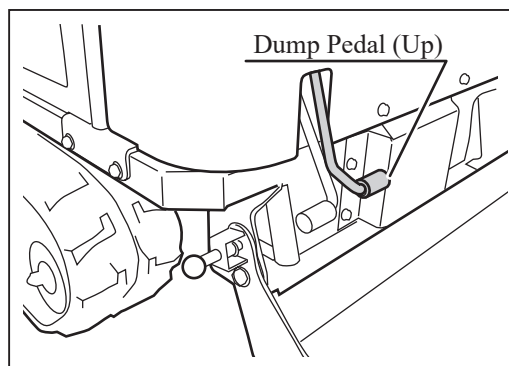
2. Turn lock plate to the side so that dump lever can be moved.
3. Move dump lever gradually toward [  (up)] to raise bucket.
4. When bucket reaches its upper limit, a hissing noise is heard; move dump lever back to [ ● (neutral)] position.

## Lowering Bucket with the Dump Lever



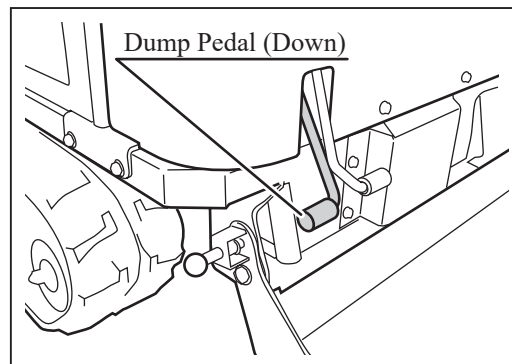
5. Move dump lever gradually toward [  (down)] to lower bucket.
6. When bucket reaches its lower limit, a hissing noise is heard; move dump lever back to [ ● (neutral)] position.
7. Turn lock plate back in place to lock dump lever.

## Raising Bucket with the Dump Pedal



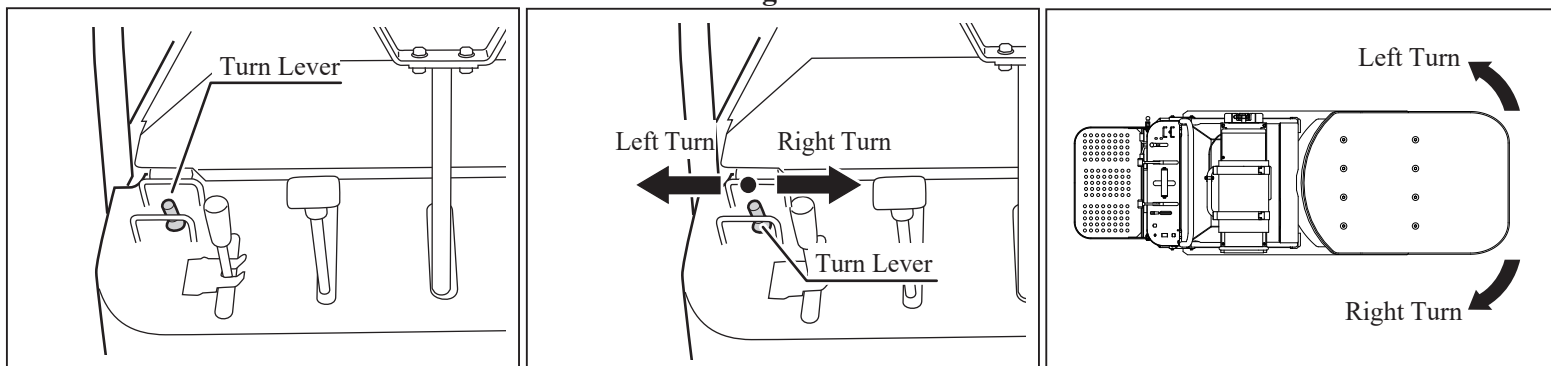
2. Turn lock plate on dump lever to the side so that dump lever can be moved. Dump pedal is linked to dump lever.
3. Step lightly on dump pedal (up) to raise bucket.
4. When bucket reaches its upper limit, a hissing noise is heard; release pedal.


## Lowering Bucket with the Dump Pedal



5. Step lightly on dump pedal (down) to lower bucket.
6. When bucket reaches its lower limit, a hissing noise is heard; release pedal.
7. Turn lock plate back in place to lock dump lever.

## Turning



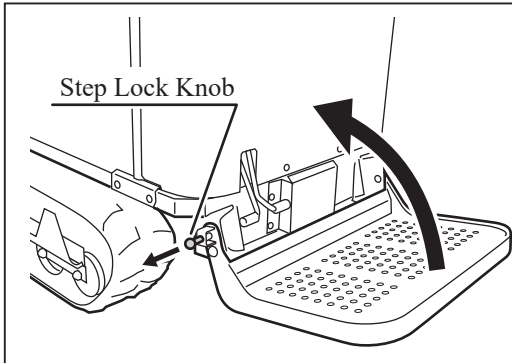
1. Move throttle lever to [  (fast)] position to increase engine speed.
2. Move turn lever gradually to the desired direction.
3. When bucket reaches its maximum angle, a sensor stops turning, move turn lever back to [ ● (neutral)] position.

### 3.3.2 Folding/Unfolding Step

## ⚠ WARNING

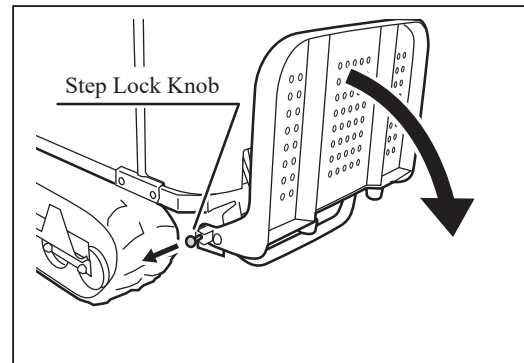
- Hold step firmly when folding or unfolding step. Make certain that hands or fingers are not in the way to be caught by step when folding or unfolding.
- Make certain that step is securely locked with step lock in either position.

#### Folding Step



1. Pull step lock knob.
2. Fold step. Once step is fully folded, release step lock knob so that step locks in this position.

#### Unfolding Step



1. Hold step firmly and pull step lock knob.
2. Unfold step. Once step is fully unfolded, release step lock knob so that step locks in this position.

## 4

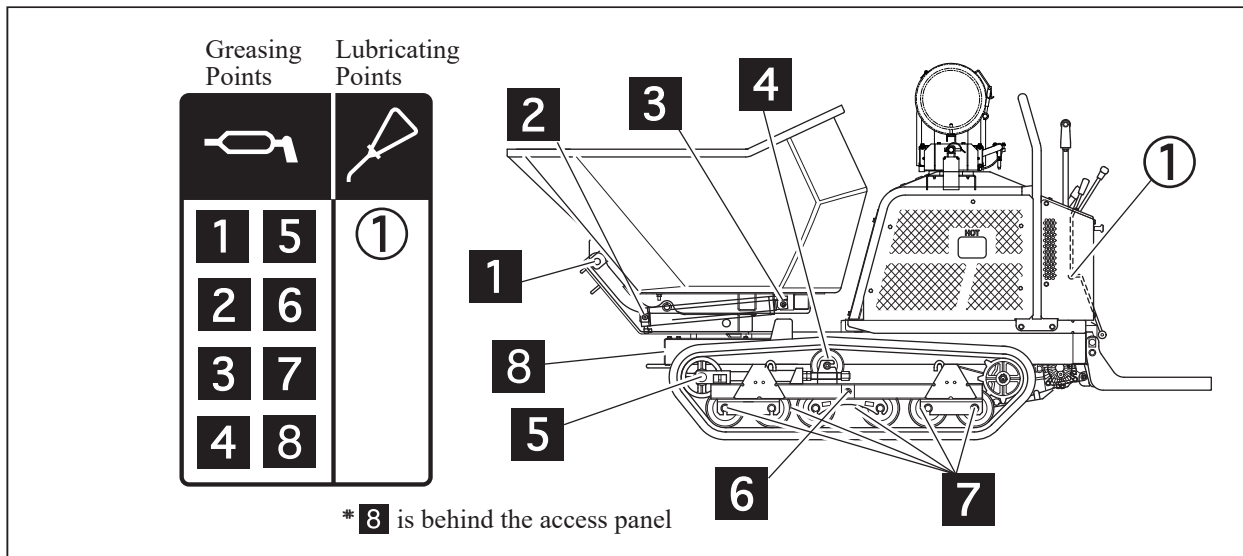
## Maintenance

### 4.1 Greasing and Lubrication Points

## ⚠ CAUTION

- Follow the maintenance schedule to grease and lubricate machine. Lack of grease or lubrication may result in rust, excessive wear or seizure.

1. Grease and lubricate the greasing and lubricating points daily.



## NOTE

- When using a manual grease gun, pump 5-6 times. When the handle of the gun becomes heavy, stop pumping immediately.
- When using a pneumatic grease gun, only pump it for a few seconds.